

MUD DOG CONCRETE BUGGY

Tamarack Industries

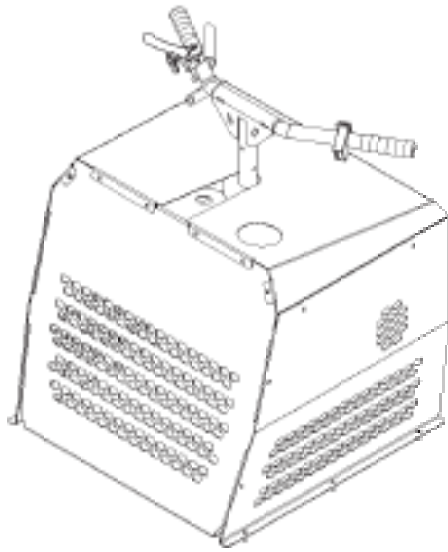


CB1600

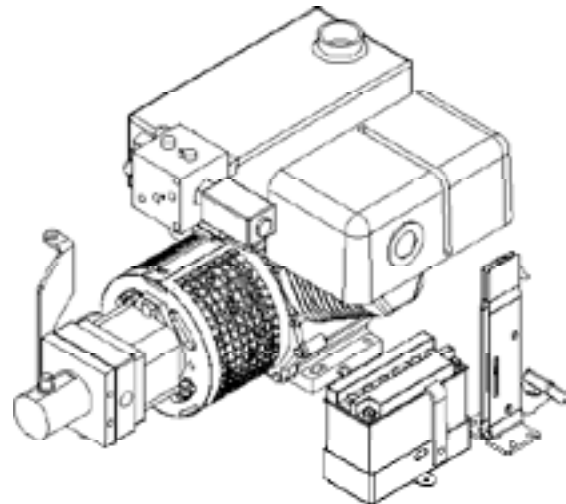
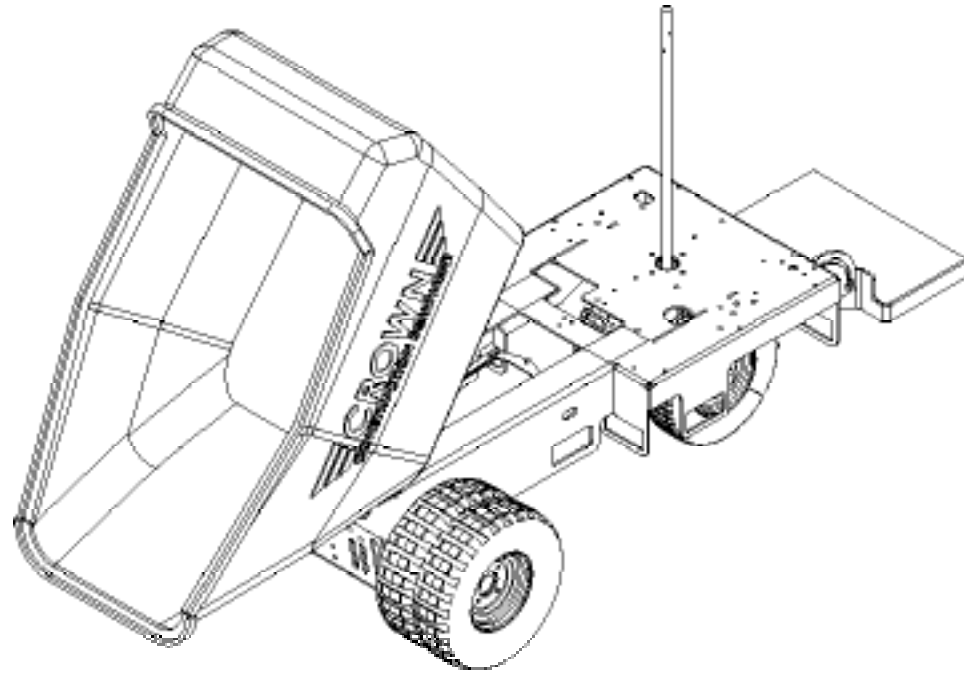
PARTS MANUAL

CONCRETE BUGGY CB 16

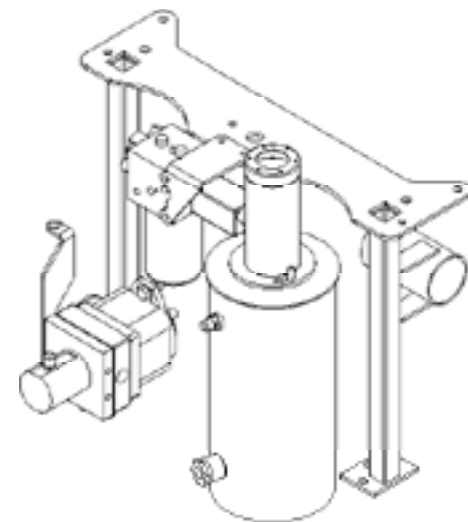
HOOD ASSEMBLY



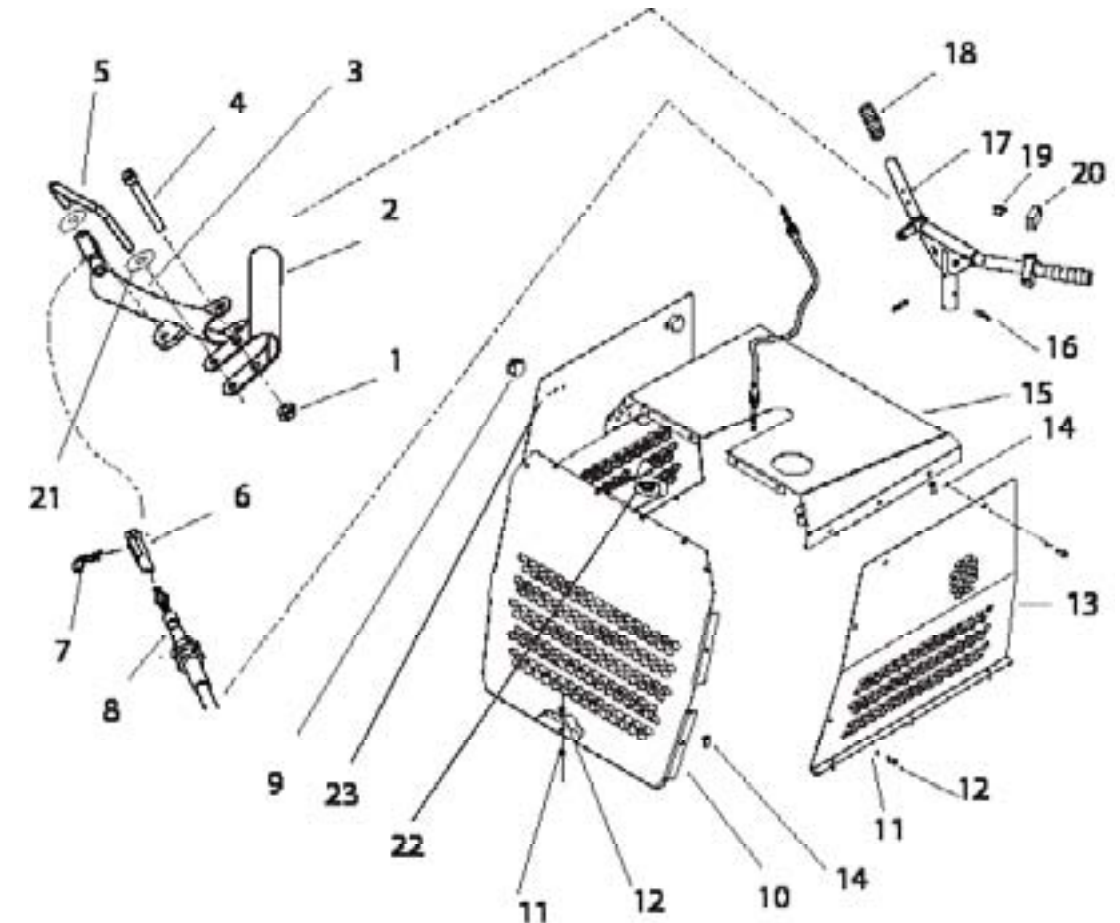
Hood Assembly
Page 3



Drive Kit Assembly
Page 6



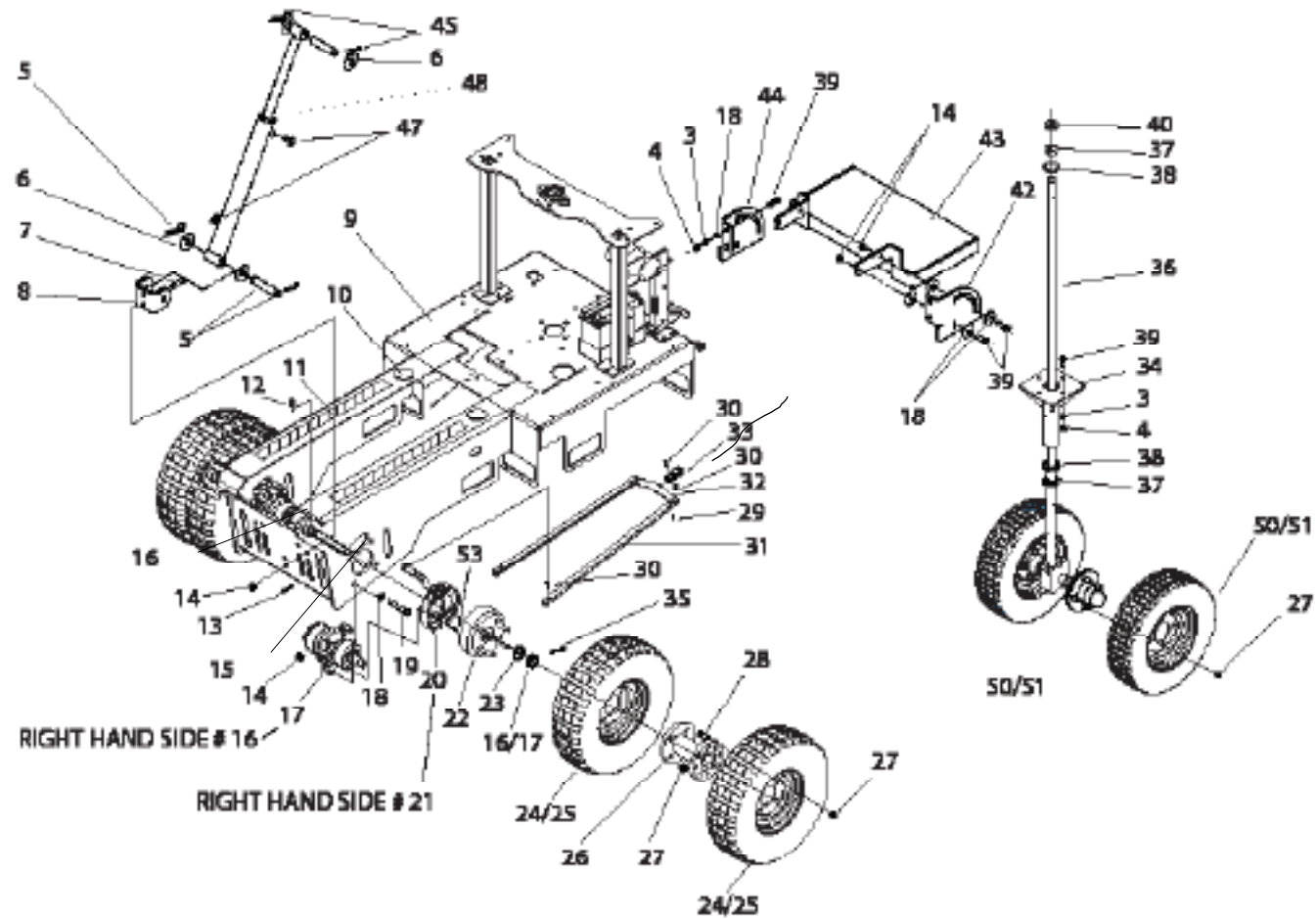
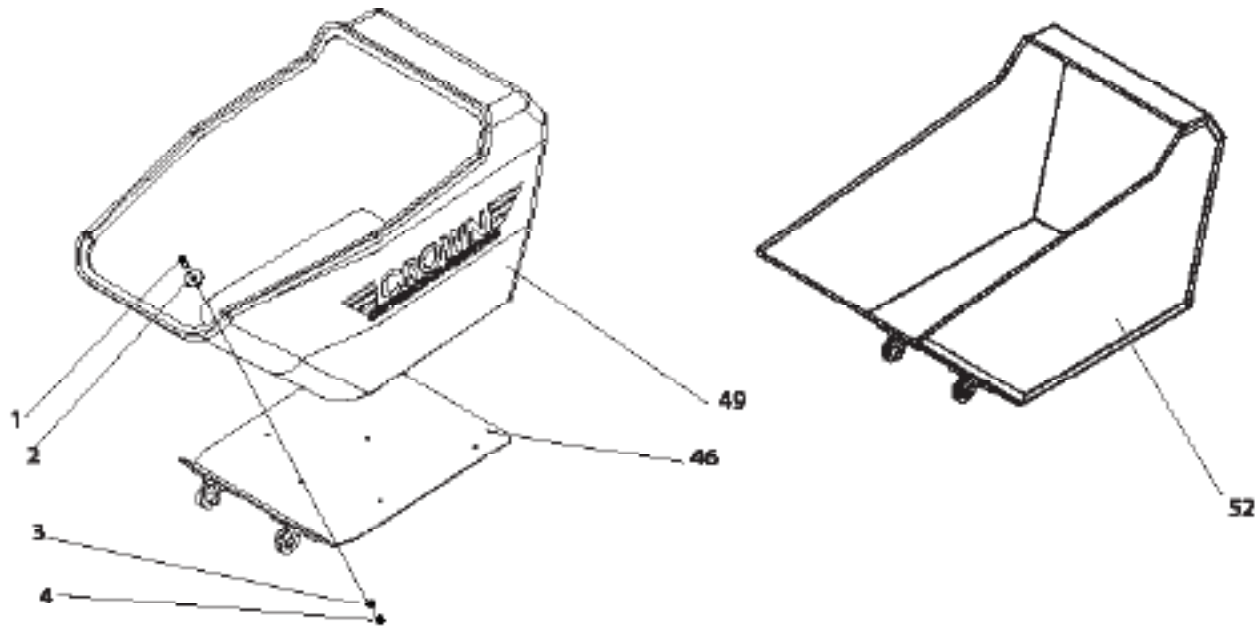
Hydraulics Assembly
Page 8



Ref	Part	Description	Qty
1	227812	Nut, Hex, 1/4, Lock	2
2	485890	Lever, Thumb	1
3	485061	Clutch Lever	1
4	485512	Shoulder Screw, 5/16 x 1-1/2"	2
5	485897	Link, FNR	1
6	485549	Clevis Yokr, 1/4-28	1
7	485550	Pin, Hitch 3/32 x 1-3/16 PL	1
8	485117	Cable, Control, Green 48"lg	1
9	485548	Latch, 1/4 LATCH	2
10	485807	Hood, Back	1
11	227821	Nut, 5/16, Nylon Lock	3
12	225980	Bolt, HexHd, 5/16 x 1	12
13	485565	Hood, Side LH	1
14	485523	Panel Nut, 5/16	10
15	485805	Hood, Top	1
16	135216	Pin, Spring, 5/16 x 2	2
17	485836	Handlebar	1
18	470219	Handgrips, 1.25" black	2
19	485112	SWITCH, STOP	1
20	485844	Switch, dump	1
21	174485	Washer, Flat, 1/4	2
22	485522	Grommet	1
23	485564	Hood, Side RH	1

FRAME ASSEMBLY

~ Basic Model ~

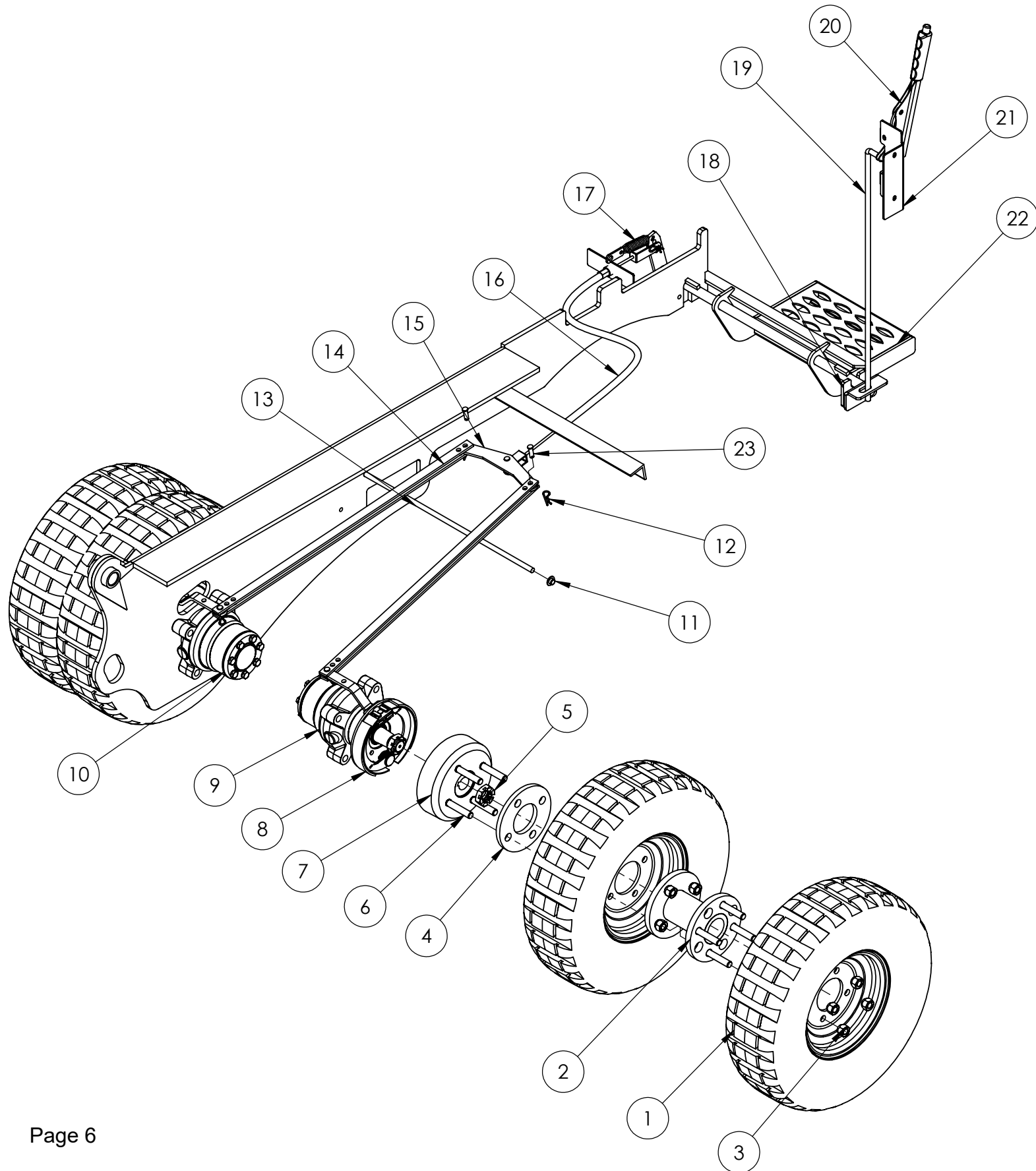


FRAME ASSEMBLY

~ Basic Model ~

Ref	Part	Description	Qty
1	228008	BHSCS 1/2 x 1-1/2 Black	6
2	228009	Washer, Fender, 1/2 I/D x 2 O/D	6
3	176250	Washer, Spring, 1/2	8
4	227854	Nut, Hex, 1/2	14
5	485131	Pin, 1" o/d x 5" lg	1
6	Not Used		
7	226660	Bolt, HexHd, 1/2 x 1-3/4	2
8	485007	Clevis, Cylinder	1
9	485804	Frame	1
10	485520	Bump Stop, 3" Dia	2
11	485519	Tape, Hazard 2" Yellow & Black	4 ft
12	110680	Grease Fitting 1/8 NPT	4
13	135216	Pin, Spring, 5/16 x 2	2
14	128291	Nut, Hex, 1/2, Top Lock Gr5	14
15	485054	Pin, Dump	2
16	485830	Wheel Motor, 15.4 in ³ /rev, 4 Bolt, HGM, RH	1
17	485831	Wheel Motor, 15.4 in ³ /rev, 4 Bolt, HGM, LH	1
18	174470	Washer, Plain, 1/2	16
19	226701	Bolt, HexHd, 1/2 x 2-3/4, Gr 5	8
20	485832	Brake Kit, LH	1
21	485833	Brake Kit, RH	1
22	485834	Drum Hub, Brake	2
23	175382	Washer, Shim 1idx1.5od	2
24	485300	Assy, Wheel and Tire, Pneumatic	4
25	485310	Assy, Wheel and Tire, Foam Filled (optional)	4
26	485541	Wheel Extension	2
27	201696	Nut, Lug, 1/2-20 UNF	32
28	485142	Wheel Bolt	8
29	485550	Pin, Hitch 3/32 x 1-3/16 PL	5
30	228013	Clevis Pin, 5/16 x .94lg	5
31	485136	Brake Link	4
32	485129	Bracket, Brake Equalizer	1
33	485118	Cable, Brake, 48" x 56.5" Black	1
34	485539	Steering Shaft Bearing Tube	1
35	135810	Pin, Cotter 1/8 x 1-1/2	2
36	485542	Steering Shaft	1
37	485114	Cone Brg 1"-L44643	2
38	485113	Brg, Cup, 1"-L44610	2
39	226660	Bolt, HexHd, 1/2 x 1-3/4	8
40	485508	Collar, 1" Locking	1
41	Not Used		
42	485021	Bracket Mount, Stand Left	1
43	485062	Stand W.A. Diamond Grip	1
44	485022	Bracket Mount, Stand Right	1
45	485130	Pin, 1" o/d x 4.5" lg c/w pins	1
46	485543	Plate Dump	1
47	485876	Ftg. 90° #4 MPT ~ #4 JIC Male	2
48	485301	Cylinder, 2" x 16" (24" retracted Lgth)	1
49	485036	Bucket, Poly	1
50	485303	Assy, Wheel and Tire, Pneumatic	2
51	485311	Assy, Wheel and Tire, Foam Filled (optional)	2
52	485042	Bucket, Steel	1
53	228058	Screw, 5/16 X 3/4" SHCS	8

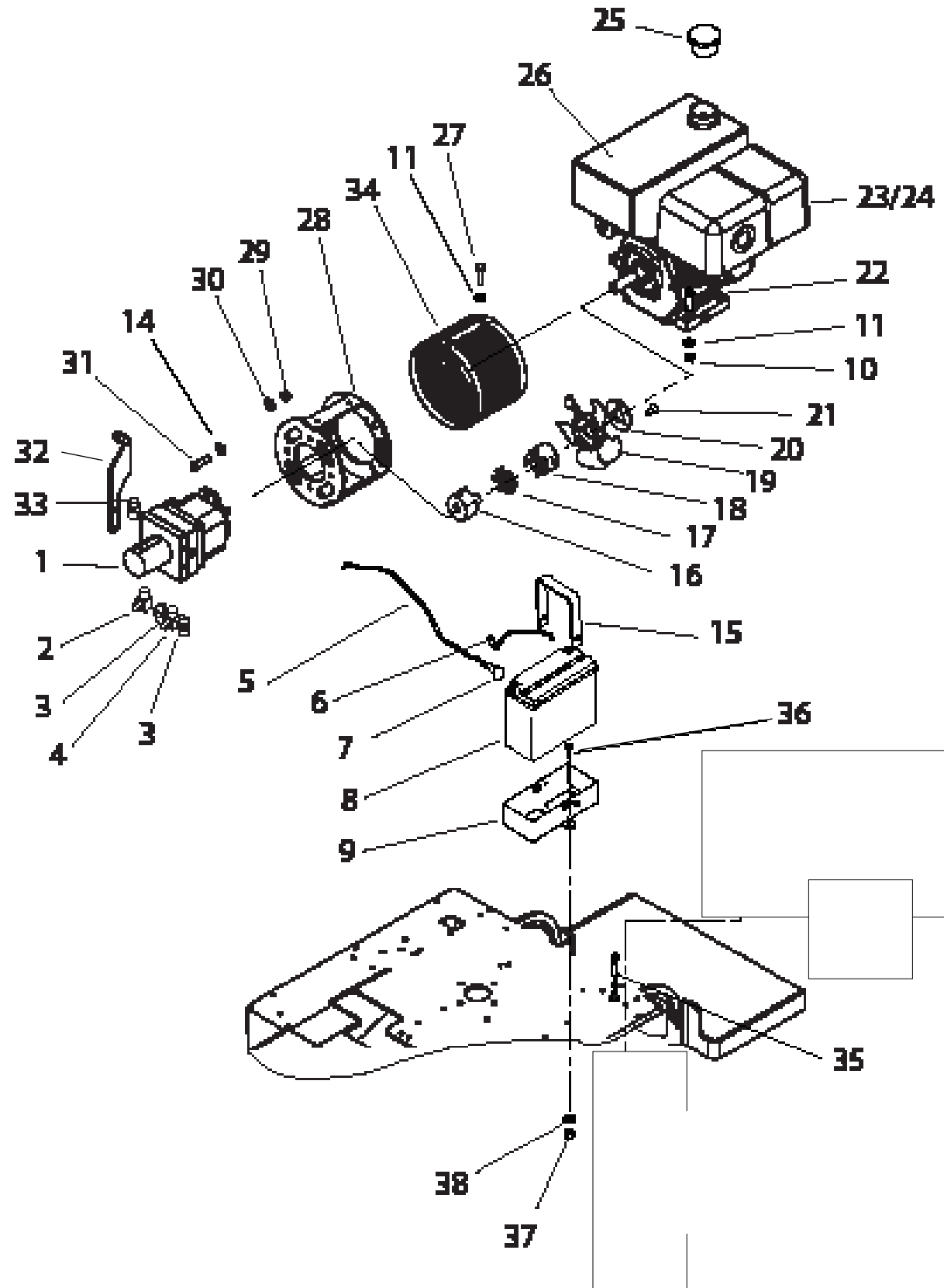
BRAKE ASSEMBLY



23	228013	PIN, CLEVIS 5/16 X 1"	6
22	A485925	ASSY,WA,BRAKE PEDAL BUGGY	1
21	485918	BKT, BRAKE LEVER	1
20	485922	LEVER,HAND BRAKE W/ RATCHET	1
19	485928	ROD, 3/8" STEEL BRAKE 2'	1
18	485923	SHT, SHAFT SLOT CLOSER	2
17	485930	SPRING,EXTENSION 0.106X.68X2.7	1
16	485118	CABLE, BRAKE 31.5" OAL	1
15	485129	BRACKET, BRAKE EQUALIZER	1
14	485136	LINK, BRAKE	4
13	485941	ROD, 3/8" STEEL BRAKE SUPPORT	1
12	485550	PIN, HITCH 3/32 X 1-3/16 P	6
11	485942	CAP, PUSH NUT 3/8" ROD	2
10	485830	MOTOR, HYD 15.4 CW (R/H)	1
9	485831	MOTOR, HYD 15.4 CCW (L/H)	1
8	485832	BRAKE ASSY CW TOP PULL (L/H)	2
7	485834	DRUM, BRAKE 4 BOLT C/W STUDS	2
6	485816	STUD, 1/2 - 20 X 2.75	16
5	485944	NUT,CASTLE 1-20 UNEF	2
4	485067	SHIM, BUGGY WHEEL	2
3	201696	NUT, LUG, 1/2-20 UNF	16
2	485541	ASSY,WA,HUB EXTENSION	2
1	485310	ASSY, WHEEL & TIRE,FOAM FILLED	4
ITEM NO.	PART NUMBER	DESCRIPTION	QTY.

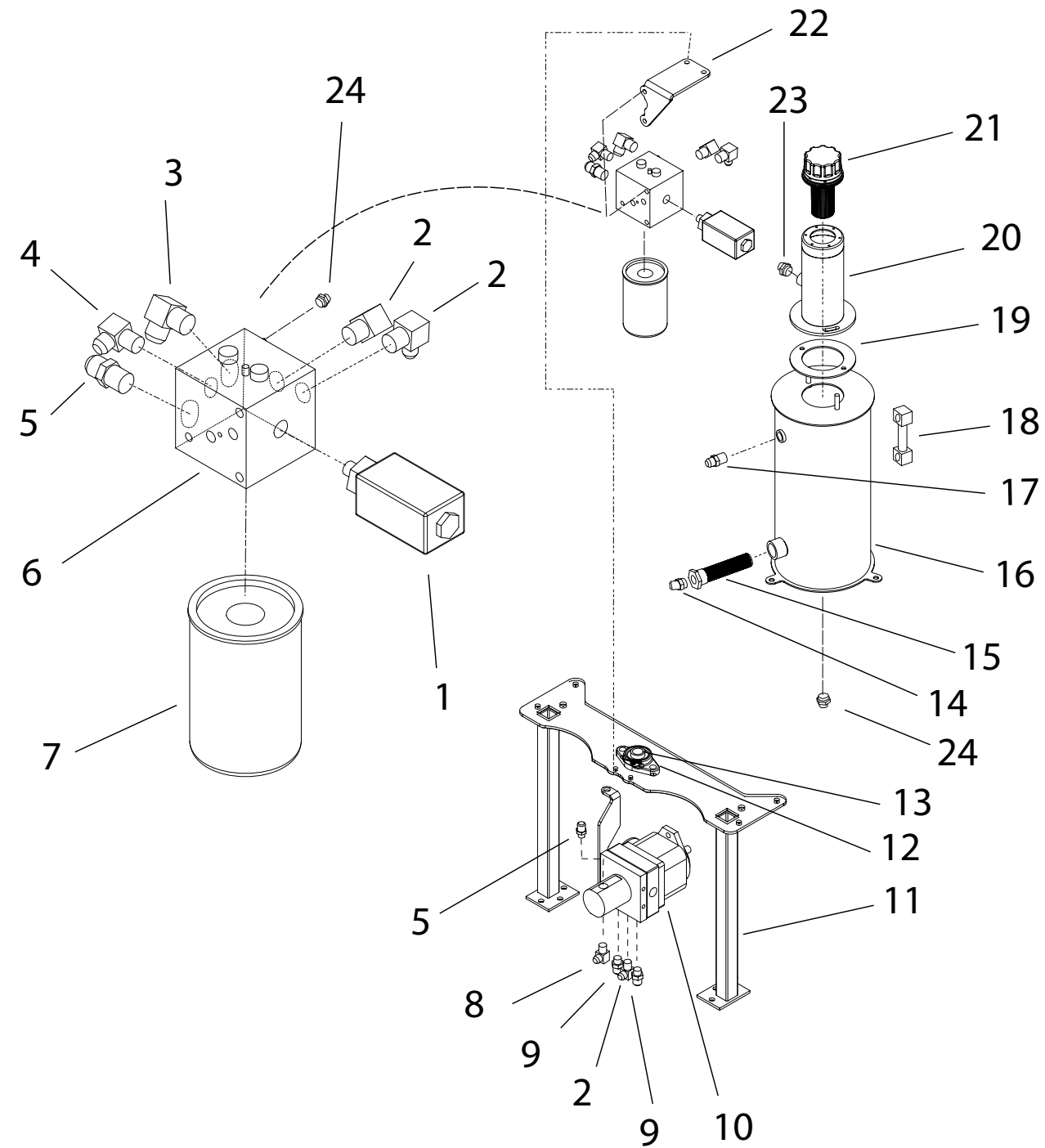
DRIVE KIT ASSEMBLY

~ Basic Model ~



Ref	Part	Description	Qty
1	485825	Pump, hyd BDP21 c/w RTN	1
2	485079	ADAPTER,90 #8 ORB #10 JIC MALE	1
3	412910	ADAPTER, #8ORB/#10JIC	2
4	485880	Adapter, 90 #4 JIC M, #6ORB MS	1
5	485524	CABLE, RED 8GA 32" w/ 1/4" lug	1
6	485526	CABLE,BLACK 6GA 12" w1/4&5/16	1
7	485527	BOOT, RED MED DUTY	1
8	485507	BATTERY, Y50-260CCA	1
9	485139	BATTERY BOX	1
10	227830	NUT, HEX PL 3/8 UNC	10
11	176230	WASHER, SPRING PL 3/8	10
14	174470	Washer, Flat, 1/2	2
15	485140	Strap, Rubber Battery	1
16	485302	Coupler, L100 x 17mm dia	1
17	412854	Insert, L099-100U Blue	1
18	412856	Coupler, L100 x 1" dia	1
19	412851	Fan, 8" CCW	1
20	412815	Fan Collar 1"	1
21	142532	CSK SHCS 5/16 x 3/4	3
22	226240	Bolt, HexHd, 3/8 x 1-3/4	4
23	202019	Engine, Honda, 13 HP GX390 KQAE6	1
24	202021	Eng, Honda 13hp GX390K1QWA	1
25	485165	Cap, Fuel, 2.25: w/baffle	1
26	485160	Tank, Fuel,	1
27	226210	Bolt, HexHd, 3/8 x 1	6
28	485059	Pump - Motor Connecting Bracket	1
29	227854	Nut, Hex, 1/2	2
30	176250	Washer, Spring, 1/2	2
31	226660	Bolt, HexHd, 1/2 x 1-3/4	2
32	485809	Bracket, Clutch	1
33	485080	ADAPTER, #6 ORB - #8 JIC MALE	1
34	412820	GUARD, 9" DIAM	1
35	485118	Cable, Brake, 48" x 56 - 1/2" Black	1
36	225980	Bolt, HexHd, 5/16 x 1	2
37	227821	Nut, Hex, 5/16	2
38	174990	Washer, Flat, 5/16	2

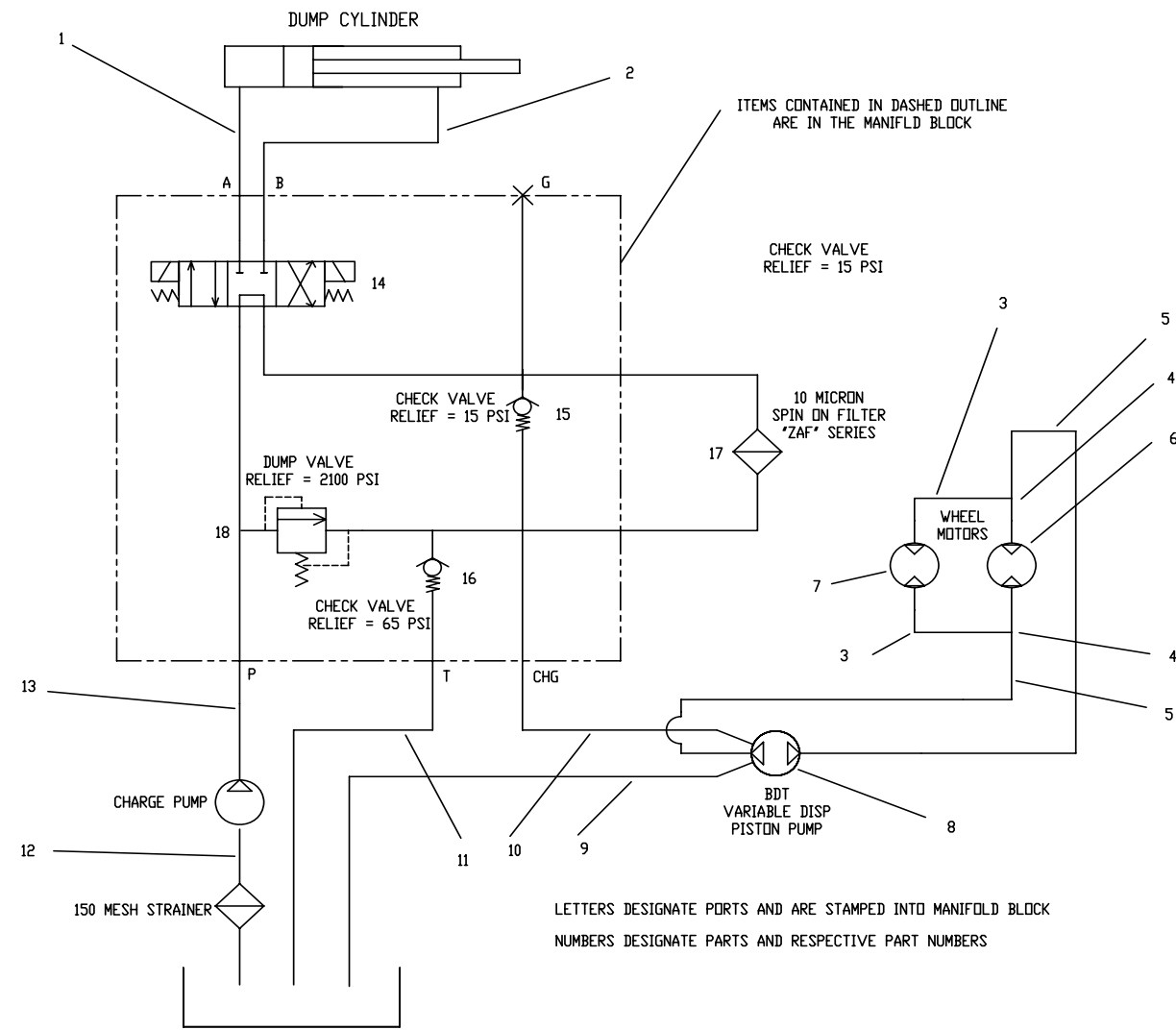
HYDRAULICS ASSEMBLY



HYDRAULICS ASSEMBLY

Ref	Part	Description	Qty
1	485828	Valve, Soliniod 4way	1
2	485880	Adapter, 90 #4 JIC M, #6ORB MS	3
3	485096	ADAPTER,90 #8 ORB-#8 JIC MALE	1
4	485874	Adapter, #4ORB X #4JIC Male 90	1
5	412925	ADAPTER, #8 ORB - #8 JIC MALE	2
6	485826	Body, Valve CP12661	1
7	485072	FILTER,ELEMENT 10 MICRON NOLOG	1
8	485079	ADAPTER,90 #8 ORB #10 JIC MALE	1
9	412910	ADAPTER, #8ORB/#10JIC	2
10	485825	Pump, hyd BDP21 c/w RTN	1
11	485840	Frame, Hood Support	1
12	485509	Housing, Bearing, 1" BEI FL 205	1
13	485510	Bearing, Insert 1" BEIUC 205-16	1
14	412913	ADAPTER, #8NPT/#10JIC 45D	1
15	485115	SCREEN, SUCTION 100 MESH 1"NPT	1
16	485885	W.A. Reservoir 3 gallon	1
17	485087	ADAPTER, 90 #8 NPT-#8 JIC MALE	1
18	412924	Sight Glass	1
19	485521	GASKET, RUBBER 5.5" DIAM	1
20	485076	FILLER NECK, W.A.	1
21	485074	Breather, Filler	1
22	485813	Brkt, valve mount	1
23	485878	Adapter, #8MPT X #8JIC Male	1
24	185629	Plug, 1/4 NPT	2

HYDRAULIC SCHEMATIC



Ref	Part	Description	Qty
1	485866	Hose, 69" 4JIC 100R1 4JIC	1
2	485868	Hose, 76" 4JIC 100R1 4JIC	1
3	485870	Hose, 16" 10 ORB MS 90, #8100R	2
4	485872	T fitting	2
5	485068	Hose, 40" 1/2" 100R1, #10 JIC	2
6	485830	Motor, hyd 15.4 CW (R/H)	1
7	485831	Motor, hyd 15.4 CCW (L/H)	1
8	485825	Pump, hyd BDP21 c/w RTN	1
9	485864	Hose, 14" #8 ORB X #8JIC 100	1
10	485862	Hose, 23" #4JIC, #4JIC	1
11	485860	Hose, 12" #8JIC 90 degree X #8	1
12	485078	HOSE, 12" #10ID 100R1 #10JIC FEM	1
13	485860	Hose, 12" #8JIC 90 degree X #8	1
14	CP-530-3P-B-0-H2D-L	CARTRIDGE VALVE, 4-WAY SOLENOID PILOT	1
15	CP108-7-B-0-015	CARTRIDGE VALVE, CHECK VALVE, 15 PSI	1
16	CP108-7-B-0-065	CARTRIDGE VALVE, CHECK VALVE, 65 PSI	1
17	485072	Oil Filter	1
18	CP208-3-B-0-A-C-210	CARTRIDGE VALVE, RELIEF VALVE, 2100 PSI	1



1205 SHERWIN RD
WINNIPEG, MANITOBA
CANADA R3H 0V3



WWW.HEAT-KING.CA



Support@tamarack-ind.com



1-800-661-0304



1-204-885-7557



HEATKINGTECH